

## JEEP XJ RAINGUTTER MOUNT PLATFORM RACK

**P/N 10935**

### KIT CONTENTS:

Item	Qty	Item	Qty
Raingutter Mount Assembly	6	Platform	1
Airdam	1	3/8" x 1" Hex Bolt (Platform)	12
3/8" x 1" Hex Bolt (Airdam)	4	3/8" SAE Flatwasher (Platform)	24
3/8" SAE Flatwasher (Airdam)	8	3/8" Nyloc Hex Nut (Platform)	12
3/8" Nyloc Hex Nut (Airdam)	4		

### IMPORTANT INSTALLATION NOTES:

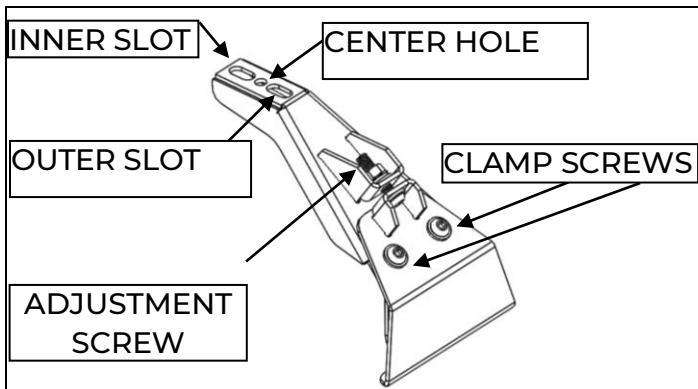
- Factory rack components may interfere with the Warrior Products Platform rack. In most cases the factory side rails (running front-to-back) may be left on the vehicle without interference. The factory crossbars (running side-to-side) should be removed for most applications. Check for factory roof rack and Warrior Products Platform system compatibility before fully installing the Platform system. Remove factory rack components as necessary to eliminate interference.

It is easiest to attach the Air Dam to the Platform while the Platform off of the vehicle.

1. Position Air Dam at front of rack, with the corner plates below the tubes, and mounting brackets for the Air Dam located **BELOW** the corner plates of the rack.
2. Insert four 3/8" x 1" bolts with SAE washers through the holes/slots provided. Place a washer and Nyloc nut on each bolt under the mounting bracket. (Do not fully tighten at this time.)



3. Position Air Dam so that there is a constant gap size between the Air Dam skin and the leading tube of the platform rack (figure 13). Fully tighten all hardware once you are happy with the position/gap. (This gap will provide clearance at the front tube for ropes, straps, and hooks to secure your load. The gap will be approximately 3/4" with the Air Dam positioned completely forward in the mounting slots.)



4. Prepare the mounts for installation by loosening the Clamp Screws (2 per mount) and the Adjustment Screw (1 per mount) so that the mount will open enough to fit over the rain gutter of the vehicle. In some cases the mounts may need to be partially disassembled in order to fit the mount clamp over the rain gutter. (If all mounts are not assembled, assemble them to match the sample.)

5. Place the platform in the desired position on the roof and use wooden blocks (or equivalent) to space the platform off of the roof at the approximate height of the mounts.

6. Use the rubber edge trim installed on the edge of the large inside piece of the mount (the edge that will sit inside the rain gutter channel) whenever possible. You may install the mounts without the rubber edge trim if more grip range is required to clamp the rain gutter.

7. With the platform positioned, install each mount, one at a time over the rain gutter at the mounting bucket locations on the platform. The mounts will be positioned UNDER the platform mounting bucket. Align the bolt holes of the mount with the center row (front-to-back) of slots in each platform mounting bucket.

8. Please note the holes on top of the mount in the image above which will be used to bolt the mount to the platform. You may need to use different hole locations for each set of mounts due to vehicle width variation, but make sure that the mounts are symmetrical from side-to-side (i.e. both bolts are installed through the same slots or center hole on opposite sides of the platform).



9. Loosely attach each mount to the platform using two 3/8" x 1" hex bolts with washers down through the platform mounting bucket (middle row of slots front-to-back) and rain gutter mount. (Again, make sure the install the bolts through the same holes/slots on each side and make adjustments if necessary.) Place a second washer and a Nyloc nut on each bolt under the rain gutter mount surface. Do not tighten the hardware at this time.

10. After you have loosely started all eight (8) platform mounting bolts and hardware, center the rack left-to-right and make sure that the mount attachments are even on each side. Begin to tighten the mount hardware by tightening the Clamp Screws just enough to take the slack out of the Clamping Bracket. Next tighten the Adjustment Screw until snug (while making sure the top mount surface is generally parallel to the platform mounting bucket surface).

If you need further assistance installing your product, please contact us by email at [customerservice@warriorproducts.com](mailto:customerservice@warriorproducts.com) or call us at (888) 220-6861.



**WARRIORPRODUCTS.COM**

